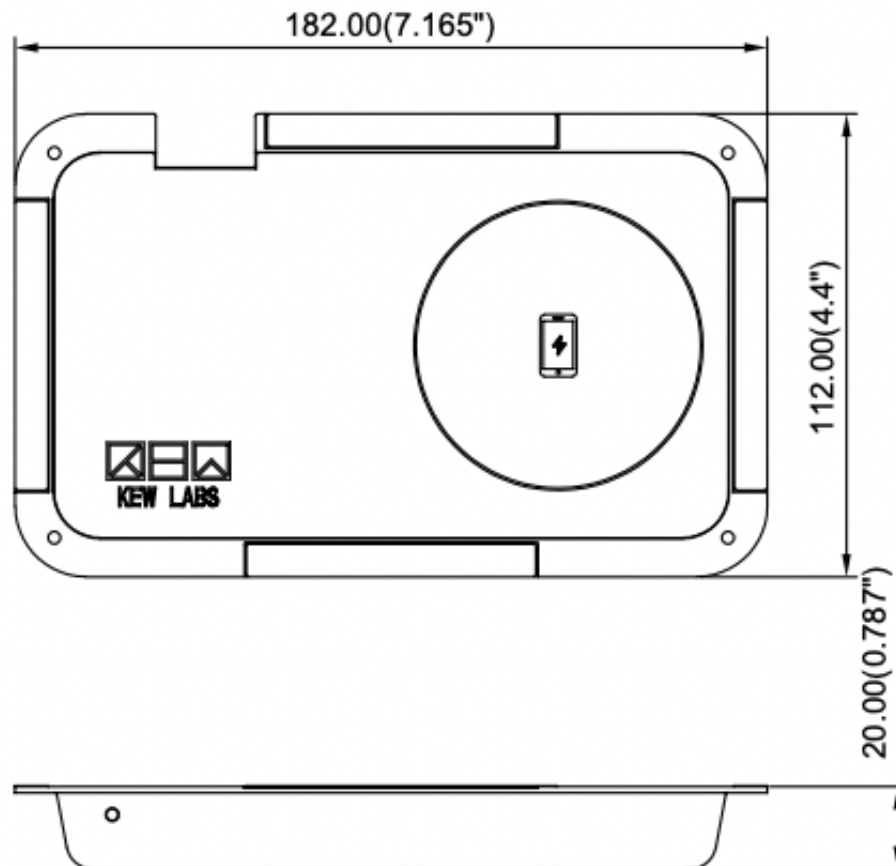




Kew Labs UTS-1 Specification

K E W L A B S

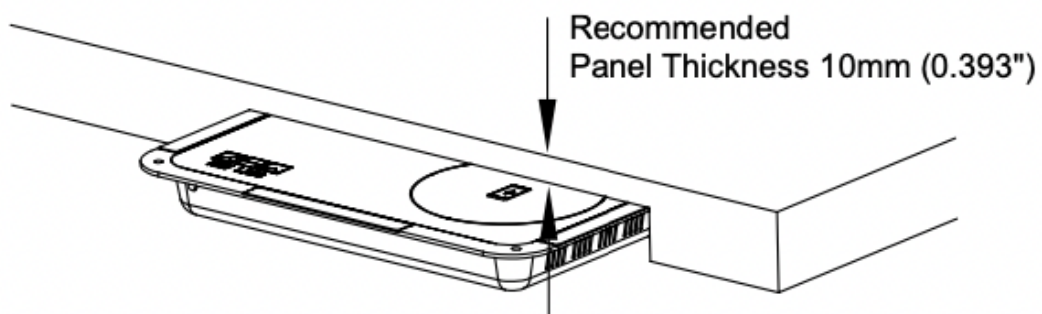


Thin Charging Distance : 10 ~ 17mm (0.393" ~ 0.669")

Thick Charging Distance : 18 ~ 25.4mm (0.70" ~ 1.0")

For best results and universal compatibility - Kew Labs recommends working towards "thin" specification.

Routing depth

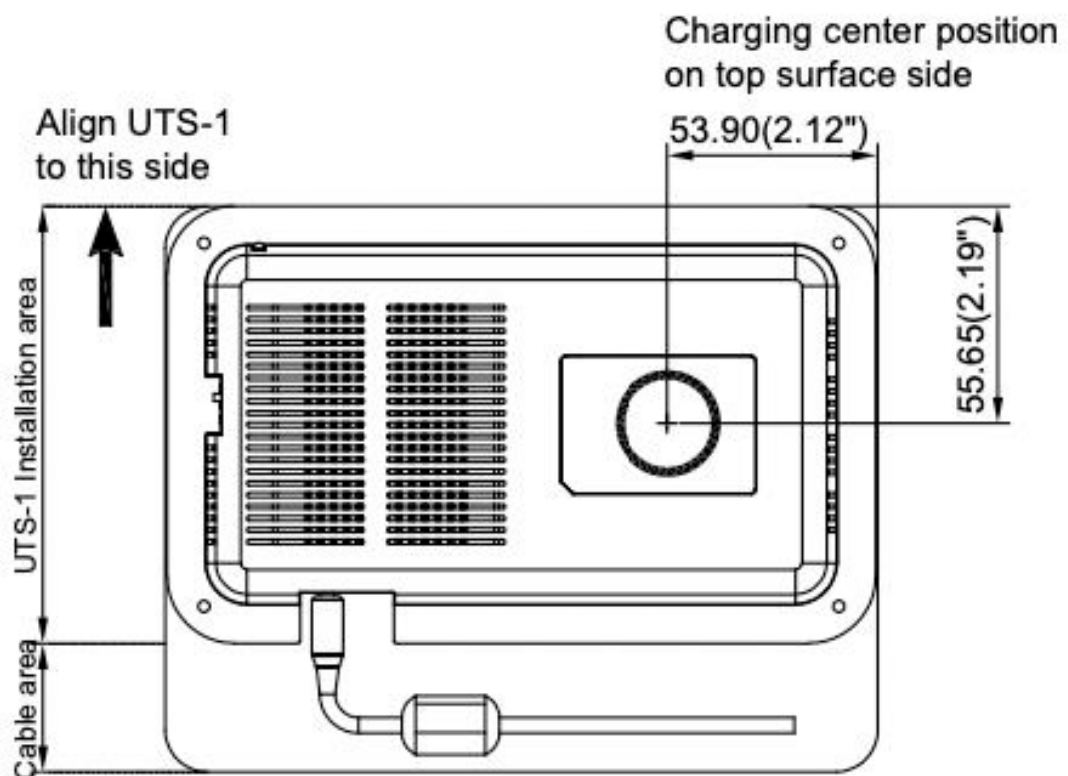


Item	UTS-1 Specifications
Product SKU & Variations	<ul style="list-style-type: none"> • UTS-1 – Wireless charger – THICK Version • UTS-1T – Wireless charger – THIN Version • UTS-1DC – Daisy Chain Wireless charger - THICK • UTS-1TDC - Daisy Chain Wireless charger - THIN
Input Power	DC 12V/3A (DC12V/5A for Daisy chain adaptor)
Output Power	Max 30W
Charging	Apple 7.5W, Samsung 10W, Standard 5W Qi wireless charging
Material Compatibility	All non-metallic surfaces – (stone, wood, plastic, glass etc)
Devices Compatibility	<p>All Qi wireless charging enabled devices</p> <ul style="list-style-type: none"> • THIN Version - universal compatibility with all phones • THICK Version – Not compatible with MagSafe pro/max/mini model iPhones beyond 20mm (0.8”).
Unit Size / Weight	182.0mm(L) x 112.0mm(W) x 20.0mm(H) / 208g (charger unit)
Effective charging distance	<p>THIN – 10mm – 17mm (0.39” – 0.66”)</p> <p>THICK - 18mm - 25mm (0.67”- 1.0”)</p>
Frequency	123K-185KHz
Accessory	Multi design charging position sticker, calibration templates, adapter 12V/3A/5A, cable management clips, screws, double sided tape (pre-fixed)
Fixing Method	3M double sided tape – screws (provided)
Protection	<p>OPP – Overpower Protection</p> <p>OTP – Over temperature Protection</p> <p>OVP -Over Voltage Protection</p> <p>UVP – Under Voltage Protection</p> <p>FOD – Foreign Object Detection</p>
UTS-1 Safety Certificate	FCC, CE, IC, KC
Adaptor Certificates	UL (US & CA), CE, KC, PSE,

Kew Labs UTS-1 Alignment Specification

Topside alignment guidelines

- Phone coil centre must be aligned to UTS-1 charger coil centre for effective wireless charging. Coil on UTS-1 centre is located to the right side of UTS-1 as shown below.
- Use coordinates below to locate position on top side of charging surface.



Audio Calibration System

- Wireless charging position on the top surface can also be calibrated using the audio calibration 'c' setting UTS-1 wireless charger if exact coordinates below cannot be mapped out.
- Follow user instructions with calibration template to locate centre position
- Using coordinates above is more accurate in determining the centre location of charging.

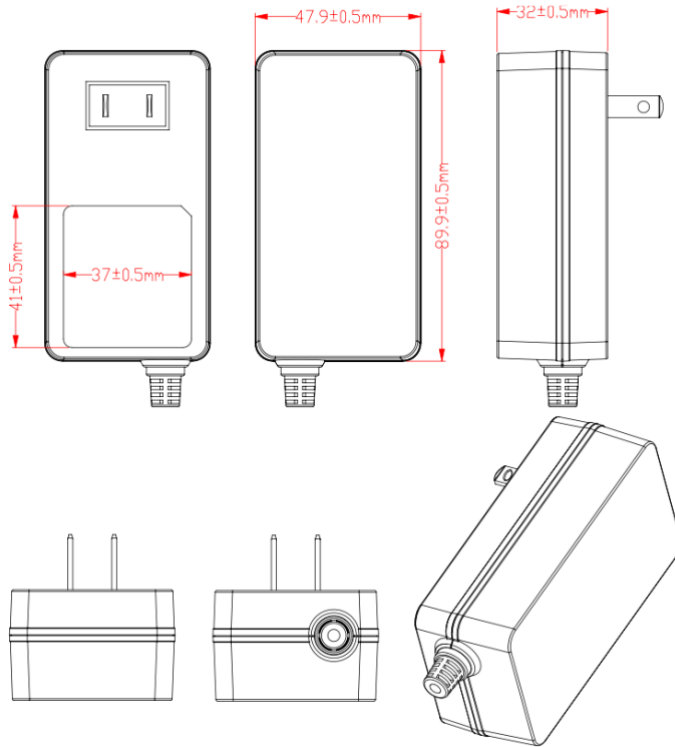


Adapter and installation FAQ

- **Can UTS-1 be hardwired in?**
 - No – UTS-1 runs off a fixed head adapter.
- **How many UTS-1 can be daisy chained together?**
 - Maximum 2 UTS-1
- **How much ventilation does UTS-1 need?**
 - **Heat output**
 - UTS-1 has a heat sink which should not be covered. Air circulation is advised through drawer cut out or some depth to cupboard/ drawer. THIN version (for surfaces 10-17mm 0.39"-0.66") is advised to be used in all installation as it will produce less heat than THICK version (for surfaces 18-25mm, 0.67"-1.0") and will require less air circulation.
 - Charging time consideration – Areas with longer charging times planned (bedside tables for overnight) should have slightly more air circulation or ventilation.

Kew Labs UTS-1

Single charger adapter specification



Wire Spec	Length
Cord length	1.5m (4ft 11')
Adapter head	DC 1.35m x 3.5mm
Extending cord length: Adapter to charger cord can be extended from standard 1.5m (4ft 11') to up to 6m (20ft) using male to female 3.5mm x 1.35mm DC extension cable	
Adapter head options	
US (fixed head)	
AUS	
EU	
UK	

The range of input voltage is from 90Vac to 264Vac single phase.

	Minimum	Nominal	Maximum
Input Voltage	90Vac	100Vac~240Vac	264Vac
Input Frequency	47Hz	60Hz/50Hz	63Hz

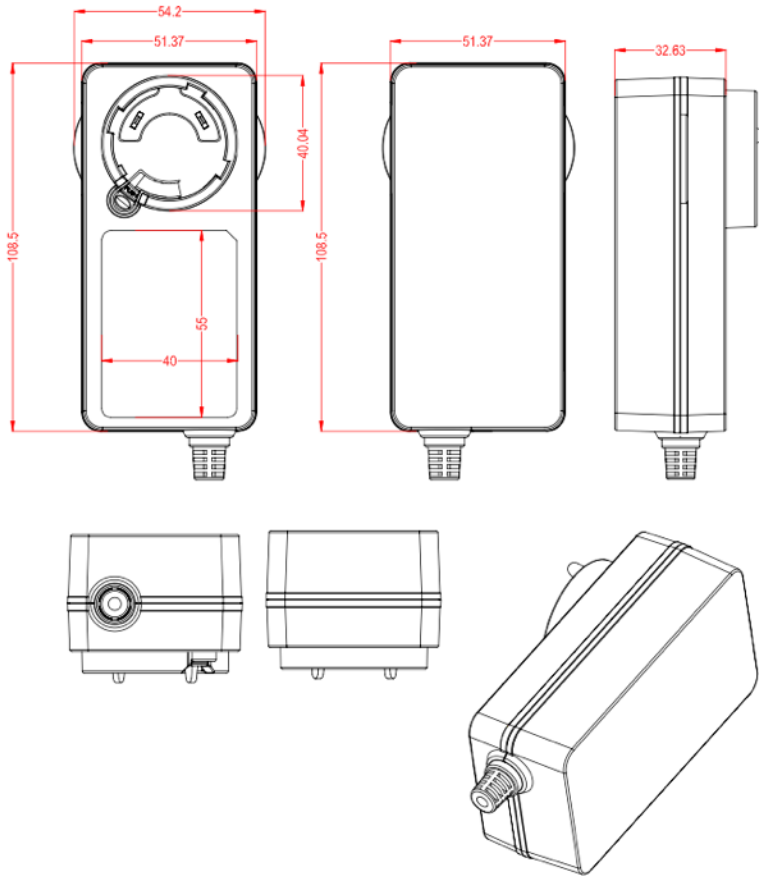
Output	Rated Load		Output Range	R+N	Remark
	Min. Load	Max. Load			
+12V	0.0A	3A	11.4V ~12.6V	120mVp-p	

Regulatory Standards

Type	Country
UL	USA
CE	EU
KC	KOREA
GS	GERMANY
JP	JAPAN
ROHS	-



Kew Labs UTS-1 Daisy charger adapter specification

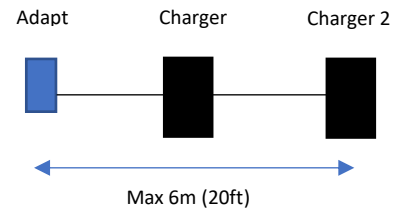


Wire Spec	Length
Cord length	1.5m (4ft 11')
Adapter head	DC 1.35m x 3.5mm
Extension between chargers	1m (3ft 3')

Extending cord length:

Adapter to charger cord can be extended from standard 1.5m (4ft 11") to up to 6m (20ft) in total from adapter plug to last charger in the daisy chain.

Extension cord should be male to female 3.5mm x 1.35mm DC cable.



Adapter head options
US
AUS
EU
UK

The range of input voltage is from 90Vac to 264Vac single phase.

	Minimum	Nominal	Maximum
Input Voltage	90Vac	100Vac~240Vac	264Vac
Input Frequency	47Hz	60Hz/50Hz	63Hz

Output Rate	Rated Load		Output Range	R+N	Remark
	Min. Load	Max. Load			
+12V	0.0A	5A	11.4V ~12.6V	120mVp-p	

Regulator Standards	UL CE KC JP ROHS GS
----------------------------	----------------------------